

Feature

- Max. load 12000N
- Product class IP66
- Compact mechanical system
- Built-in limit switches
- Imported POT/HALL sensors (options)
- CE certificated
- Widely work in the harsh environment

Model

ALM-608



Basic Spec.

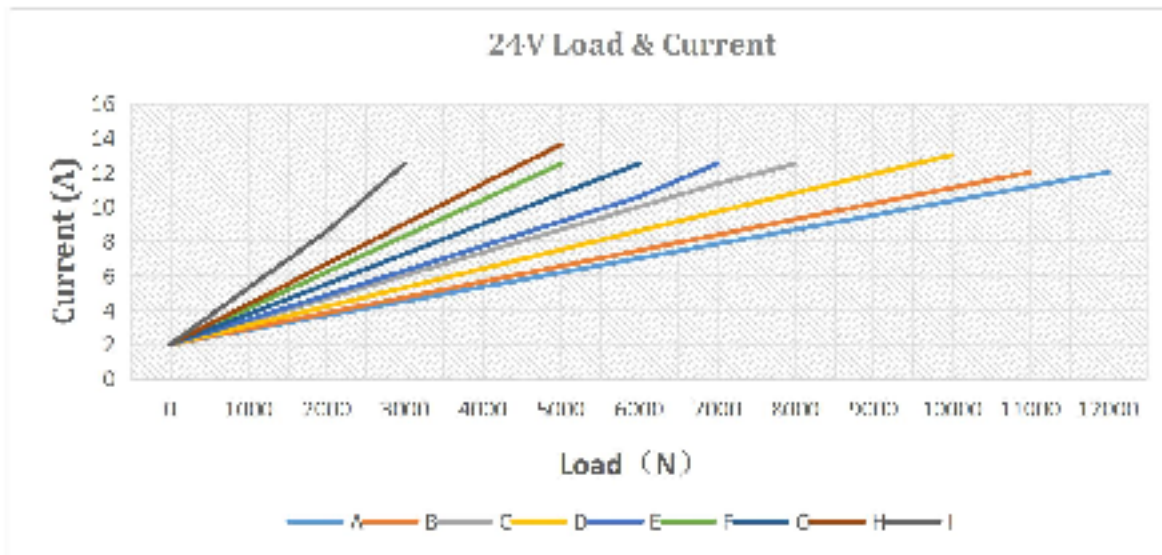
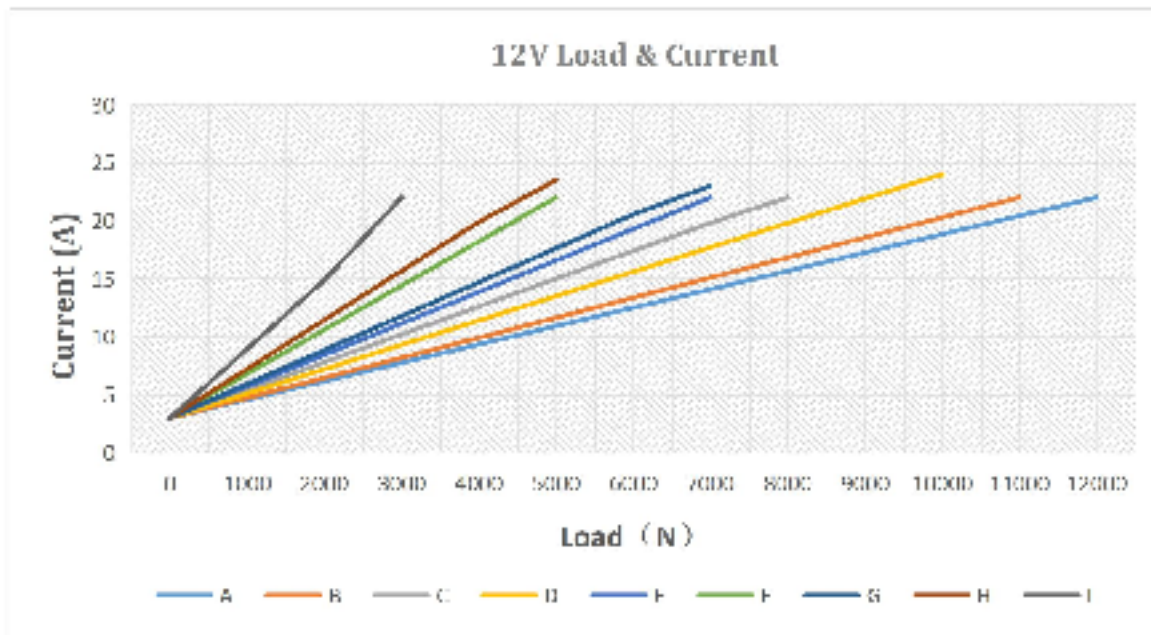
Housing color	<input type="checkbox"/> Black	<input type="checkbox"/> Customize colors				
Screw type	<input type="checkbox"/> T-screw	<input type="checkbox"/> Ball screw				
Control	<input type="checkbox"/> control box	<input type="checkbox"/> control system + manual				
Application	<input type="checkbox"/> Industrial					
Work environment	<input type="checkbox"/> 0~40°C	<input type="checkbox"/> -20~65°C	<input type="checkbox"/> -40~65°C			
Noise level	<input type="checkbox"/> ≤ 75dB					
Stroke	<input type="checkbox"/> 50-600mm	<input type="checkbox"/> Customize stroke				
Load	<input type="checkbox"/> ≤ 1200N	<input type="checkbox"/> ≤ 2000N	<input type="checkbox"/> ≤ 2500N	<input type="checkbox"/> ≤ 8000N	<input type="checkbox"/> ≤ 10000N	<input type="checkbox"/> ≤ 12000N
Duty cycle	<input type="checkbox"/> 10%	<input type="checkbox"/> 20%				
Motor type	<input type="checkbox"/> Brushed DC motor					
Over-load protection	<input type="checkbox"/> No	<input type="checkbox"/> Clutch	<input type="checkbox"/> Electrical system			
IP rating	<input type="checkbox"/> IP66					
Signal output	<input type="checkbox"/> No	<input type="checkbox"/> Switch signal	<input type="checkbox"/> Hall sensors	<input type="checkbox"/> POT	<input type="checkbox"/> Magnetic switch	
Input voltage	<input type="checkbox"/> 12V	<input type="checkbox"/> 24V	<input type="checkbox"/> 36V	<input type="checkbox"/> 48V		
Cable length	<input type="checkbox"/> 1m	<input type="checkbox"/> 2m	<input type="checkbox"/> Customize length			



Technical info

Code	Gear ratio	Screw pitch mm	No-load mm/s	Full-load mm/s	Max.load (N)	Max. Self-locking (N)	No-load current A		Full-load current A	
							12V	24V	12V	24V
A	40:1	4	6.5	4.5	12000	15000	3.5	2	22	12
B	30:1		8.5	6	11000	12000	3.5	2	22	12
C	20:1		13	9	7500	9000	3.5	2	22	12
D	40:1	8	13	7	10000	12000	3.5	2	24	13
E	30:1		17	9.5	7000	8000	3.5	2	22	12
F	20:1		25	14	5000	6000	3.5	2	22	12.5
G	40:1	12	20	11	6500	8000	3.5	2	22	12.5
H	30:1		25	13	4500	5500	3.5	2	22	12.5
I	20:1		38	24	3200	4000	3.5	2	22	12.5

Load & Current

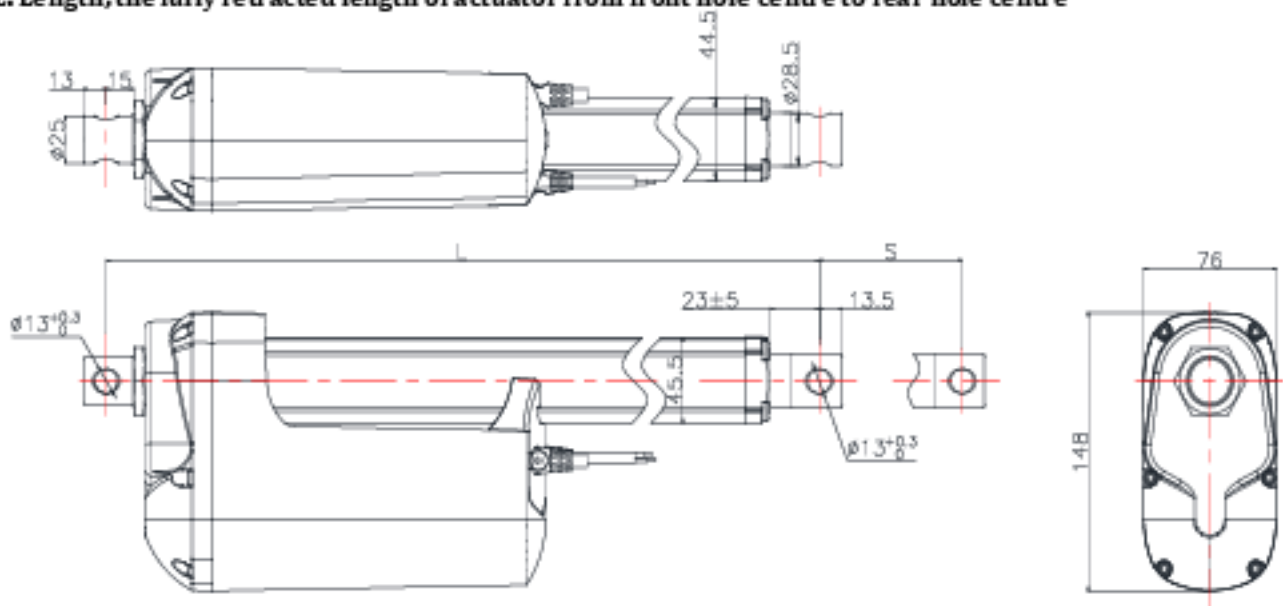


Mounting length

Dimension

S: Stroke, the travel length of actuator

L: Length, the fully retracted length of actuator from front hole centre to rear hole centre

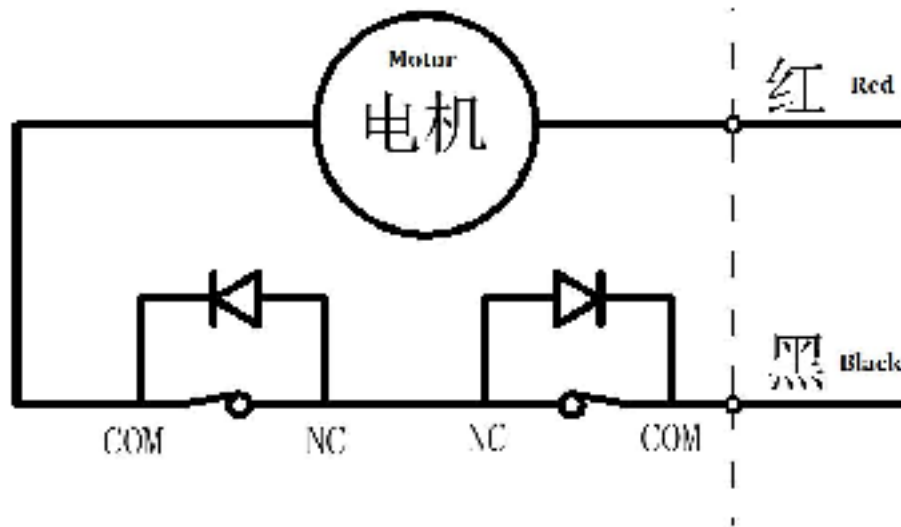


Stroke & Mounting length

S(mm)	Retracted L (mm)	Extended A(mm)	Simulate
50	290	340	$50 \leq \text{Stroke} \leq 300,$ $L = S + 190;$ $A = L + S (A = S^2 + 190)$
100	290	390	
150	340	490	
200	390	590	
250	440	690	
300	490	790	
350	600	950	$300 < \text{Stroke} \leq 600,$ $L = S + 250;$ $A = L + S (A = S^2 + 250)$
400	650	1050	
450	700	1150	
500	750	1250	
550	800	1350	
600	850	1450	
650	950	1600	$600 < \text{Stroke} \leq 1000,$ $L = S + 300;$ $A = L + S (A = S^2 + 300)$
700	1000	1700	
750	1050	1800	
800	1100	1900	
850	1150	2000	
900	1200	2100	
950	1250	2200	
1000	1300	2300	

Signal output

Standard limit switch diagram



Limit switch signal output

Closed		Open	
<p>Black 黑色 Green 绿色 Red 红色 Blue 蓝色</p> <p>3 2 1 2 3</p> <p>NC NO C NC NO C</p> <p>S1 后限位 Down Limit Switch</p> <p>S2 前限位 Upper Limit Switch</p>	<p>Black 黑色 Green 绿色 Blue 蓝色 Red 红色</p> <p>3 2 1 2 3</p> <p>NC NO C C NO NC</p> <p>S1 后限位 Down Limit Switch</p> <p>S2 前限位 Upper Limit Switch</p>		

Hall sensor signal

Hall sensors built-in motor				
Code	Signal feedback	Magnetic pole	Resolution (1 pair of pole) Pulse/mm	Resolution (4 pairs of poles) Pulse/mm
A	Hall sensors	1 pair of pole or 4 pairs of poles	10.11 pulse/mm	40.4 pulse/mm
B			7.53 pulse/mm	30.11 pulse/mm
C			4.853 pulse/mm	19.41 pulse/mm
D			5.05 pulse/mm	20.21 pulse/mm
E			3.76 pulse/mm	15.05 pulse/mm
F			2.43 pulse/mm	10.07 pulse/mm
G			3.37 pulse/mm	13.47 pulse/mm
H			2.51 pulse/mm	10.03 pulse/mm
I			1.67 pulse/mm	6.47 pulse/mm
Phase difference				
Phase difference 90°				

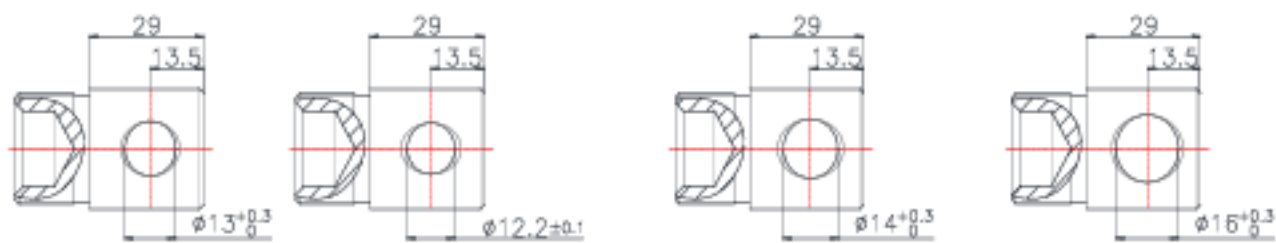
Notice: Hall sensor power supply 3.3V-24V, recommend to use 5V or 12V

POT

POT information			
Resistance	Turn(s)	Tolerance	Remark
10K	10	±5%	A actual resistance value may vary within the 0-10KΩ range based on stroke length
POT (10KΩ)			
Code	Initial resistance	10KΩ POT Max. stroke	For example
A、B、C	0.2-0.4	277	100mm stroke resistance 3.61KΩ
D、E、F	0.2-0.4	554	200mm stroke resistance 3.61KΩ
G、H、I	0.2-0.4	831	500mm stroke resistance 6.17KΩ

Attachment options

Front

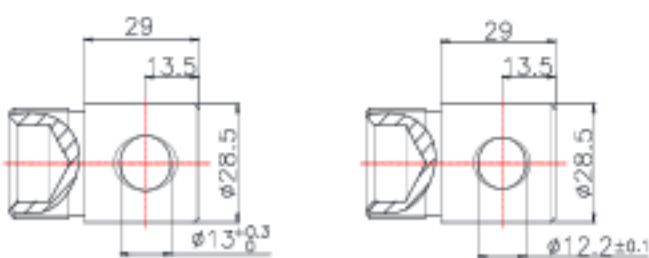


01

02

03

04

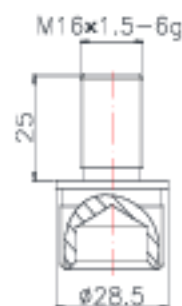


05

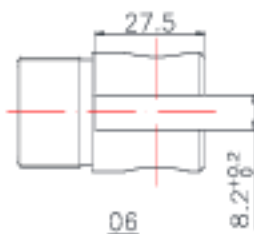
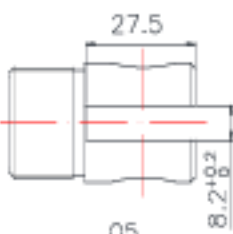
06



07

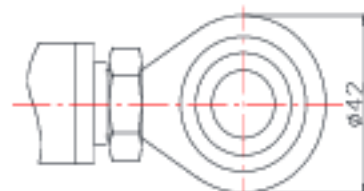


08

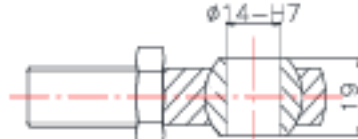
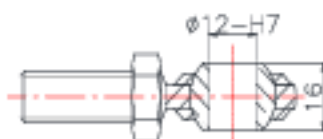


09

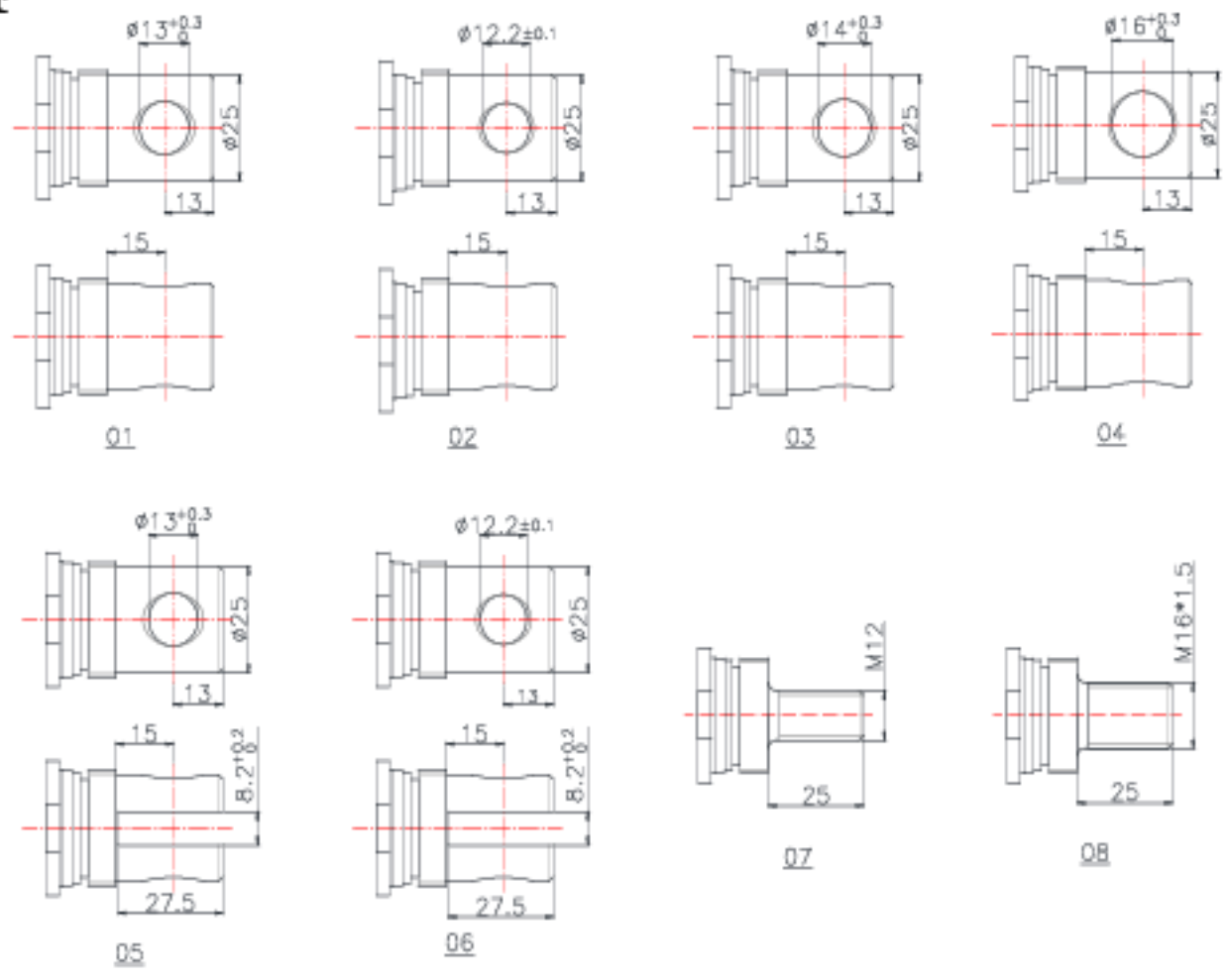
10



11



Rear



Options

Item name

Picture

Bracket



Hand crank



Main products

Model	Load (N)	Stroke (mm)	Speed (mm/s)	IP rating	Application
ALM501B	8000	50-600mm	5-17mm/s	IP65	Medical, furniture, industrial
ALM601	1200	50-600mm	3.5-80mm/s	IP65	Industrial
ALM602	2000	50-600mm	3.5-55mm/s	IP65	Industrial
ALM603	2500	50-600mm	5-15mm/s	IP65	Medical, furniture, industrial
ALM606	8000	50-900mm	5-35mm/s	IP65	Industrial
ALM606A	7000	50-900mm	5-50mm/s	IP65	Industrial
ALM607	5000	50-600mm	5-50mm/s	IP65	Industrial
ALM608	12000	50-1000mm	6.5-38mm/s	IP66	Industrial